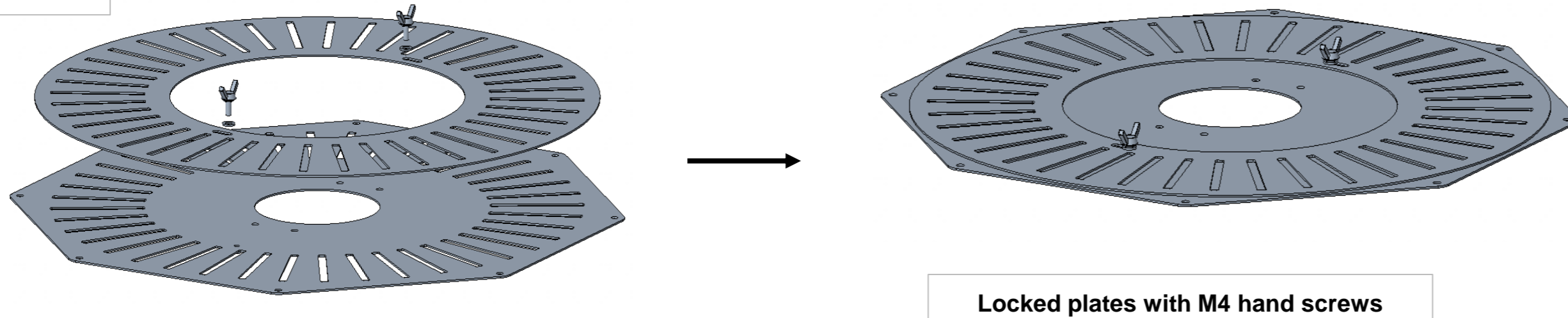


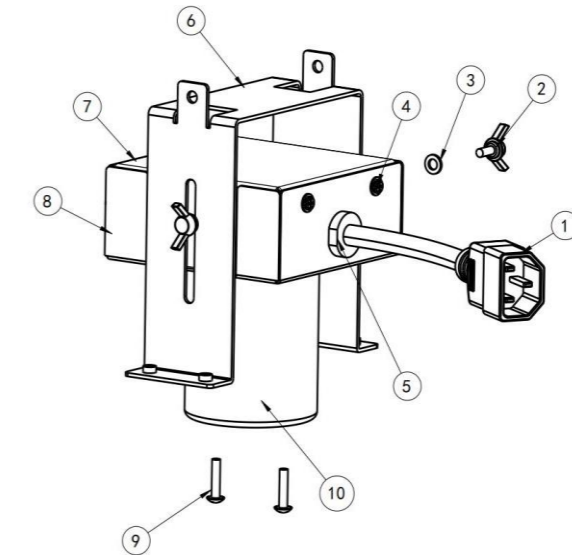
Instructions - Turrican Parabolic Reflector

Step 1



Locked plates with M4 hand screws

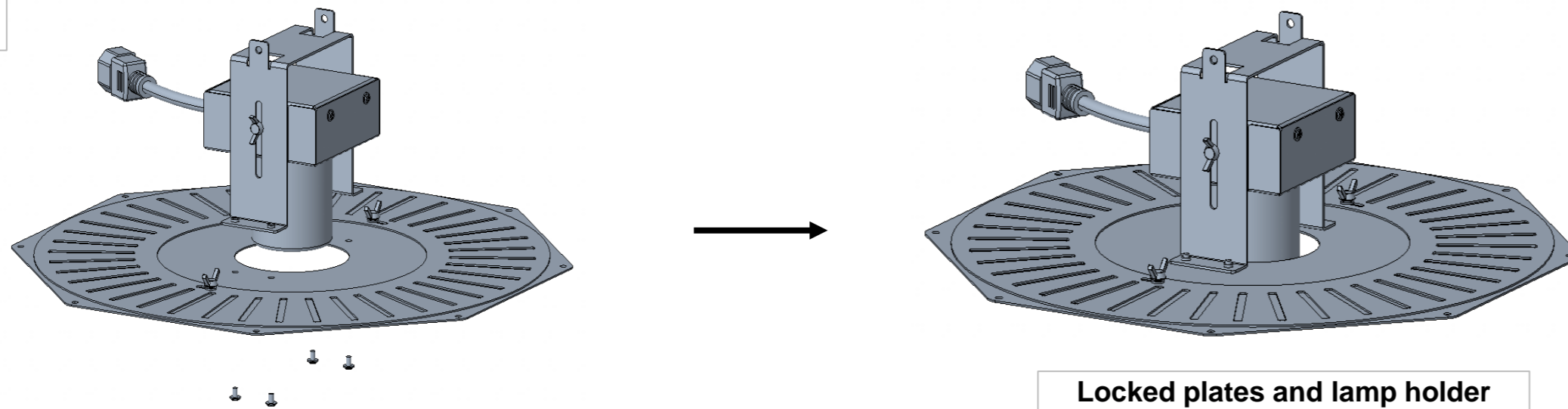
Align the hole position of the round plate with the octagon plate, lock the two plates with 2pcs M4 hand screws (item 2) and 2pcs M4 washer (item 3)



Lamp holder set

Item	Name	Qty
1	4m input wire with IEC connector	1
2	M4×10 Butterfly hand screw	2
3	M4 washer	2
4	M4×6 cross screw	4
5	Buckle	1
6	U shape metal	1
7	top cover of junction box	1
8	bottom cover of junction box	1
9	M4×16 cross screw	2
10	ceramic lamp holder	1

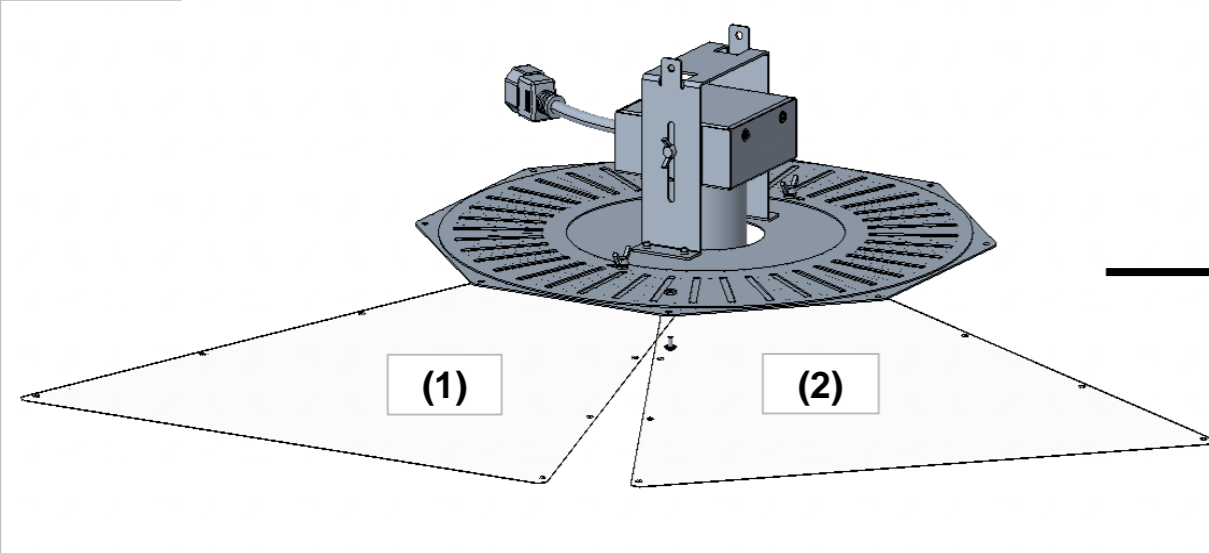
Step 2



Locked plates and lamp holder

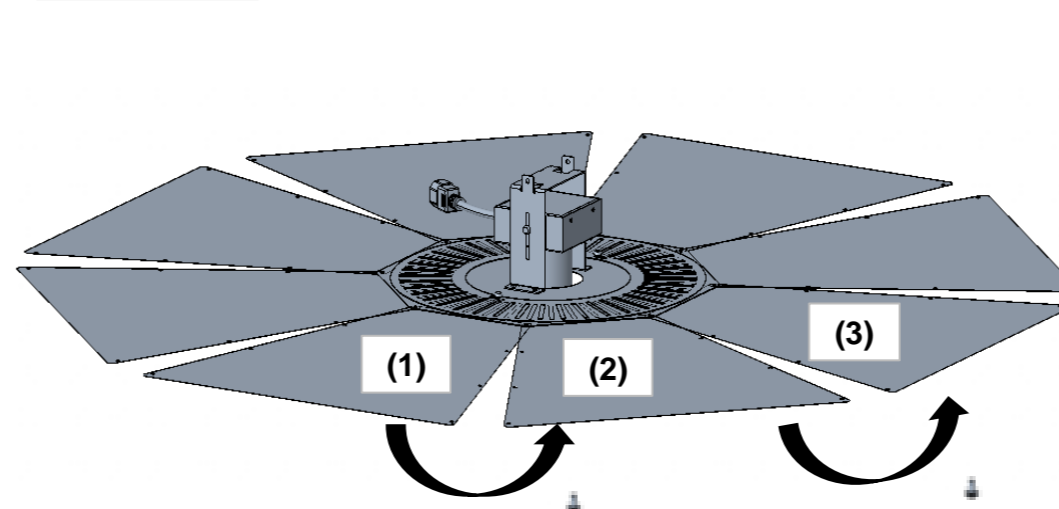
Align the hole position of locked plates with lamp holder set, lock the plates and lamp holder set with 4pcs M4 cross screws(item 4)

Step 3



Put leaf (2) on leaf (1), align the holes, lock the leaves with finished step 2.

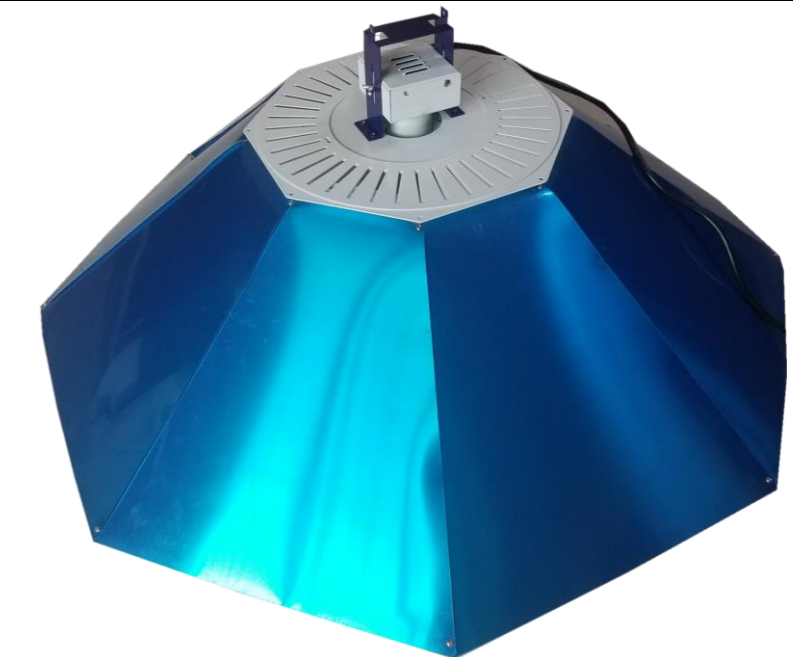
Step 4



Lock the leaves (1) and (2) , then lock the leaves (2) and (3)... to finish the installation.

Align the holes of two pieces reflector leaves with locked plates and lamp holder set, lock them with M4 cross screws (item 4) and M4 hexagonal nut (item11); then lock rear reflector leaf with the front one use M4 cross screws (item 4) and M4 hexagonal nut (item11) in turn(totally 8 holes); At last, align the holes of two adjacent reflector leaves with screws M4 cross screws (item 4) and M4 hexagonal nut (item11).

Note: if you put the second leaf upon the first one, you need put the third one upon the previous, you need to do the same as the left leaves.



Finished reflector

Item	Name	Qty
2	M4×10 Butterfly hand screw	2
3	M4 washer	2
4	M4×6 cross screw	36
11	M4 hex nuts	32
12	round plate	1
13	octagon plate	1
14	lamp holder set	1