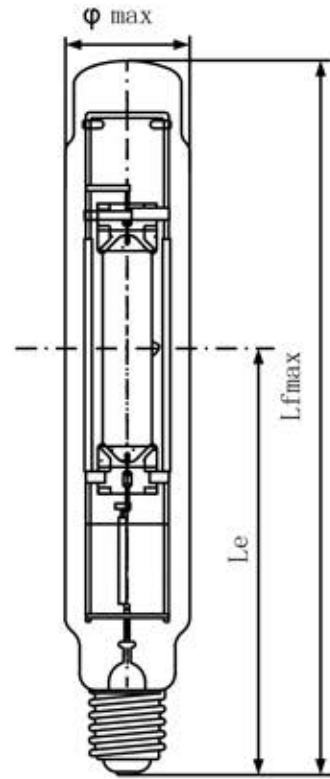


PERFORMANCE DATA

Initial lumens at rated watts after 100 hours operation	50000	Lm
Rated average life	10000	H
Warm up time	7	Min
Correlated color temperature	4200	K
CIE chromaticity	0.38,0.40	x,y
Color rendering index	65	
Operating Position	U	
PAR value (400-700nm)	729	μ mol/s



ELECTRICAL CHARACTERISTICS

Nominal lamp wattage	600	W
Nominal lamp voltage	110	V
Nominal lamp current	6.2	A

PHYSICAL DESCRIPTION

Maximum overall length	340	mm
Light center length	220	mm
Max Bulb diameter	82	mm
Base to bulb eccentricity (max)	3	degrees
Maximum bulb temperature	400	$^{\circ}$ C
Bulb designation	TT80	
Bulb material	Borosilicate(Hard Glass)	
Arc tube material	Quartz	
Bulb finish	Clear	
Base designation	E40	

